

POWER SURGE

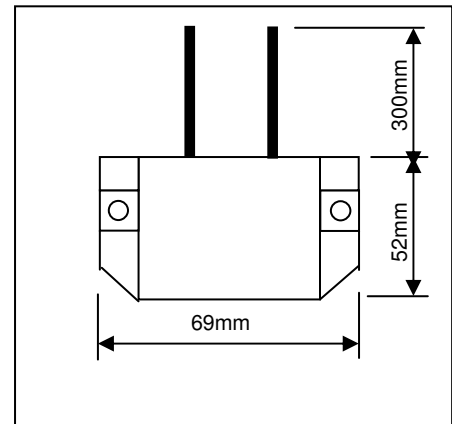
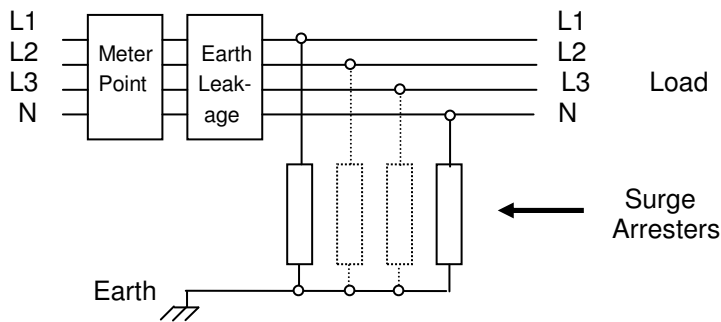
100kA HIGH ENERGY METAL OXIDE VARISTOR

Applications

- Overvoltage transient suppression
- Low-power distribution panels
- Lightning surge protection
- Power electronics
- Inductive load switching
- Industrial and household equipment

Specifications

- Conforms to IEC61643-1:2005
- Operating voltage 280 VRMS (350 VDC)
- High energy capability 1320 J (2 mSec)
- Maximum surge current 100 kA (8/20)
- Maximum clamp voltage 710 V (300 A)
- Typical capacitance 8100 pF (1 kHz)
- Response time < 25 nSec
- Operating temperature -40°C to +85 °C
- Wall / panel mount
- Flame resistant, self extinguishing housing – VR0



Single Phase:

Use 2 units for L1 & N,
connected to earth

Three Phase:

Use 4 units for L1,L2,L3,N
connected to earth



The internal Metal Oxide Varistor have received the following certifications:
Underwriters Laboratories UL
Canadian Laboratories Inc. CSA
Swiss Electrotechnical Association SEV
Verband Der Elektrotechnik VDE

Telbit

29 Galaxy ave. Linbro Business Park
P.O. Box 774, Wendywood, 2144
Sandton, South Africa
Tel: +27 11 608-1121
Fax: +27 11 608-1127
e-mail: sam@telbit.co.za