

TOUCH SOCKET

Description

The Touch Socket provides the electrical contact for the transfer of data to and from the DALLAS family of iButtons. The outer rim provides a self-lining interface that matches the metal can package of the iButton, while contact with the inner face of the iButton (Data) is made through the contact in the centre of the socket.

The contacts have no moving parts, making the socket a rugged interface for harsh outdoor and indoor environments.

The socket is available with one of two types of led's. A two colour led, identified with a black cable, allows the user to select either the red or green by swapping the polarity of the led wires.

The three colour led, identified with a white cable, has the common cathode of the led internally connected to ground, with separate wires for each of the red and green led's. By switching both led's on, a third orange colour is obtained.

Supply voltage (V_{supply}) and current (I_{select}) to the LED is defined by the application. I_{select} may be chosen up to 20mA maximum. An increase in current produces better brightness. An external Resistor (R_{calc}) is calculated with:

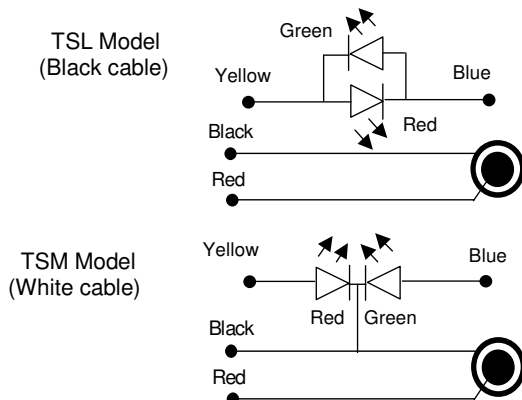
$$R_{calc} = (V_{supply} - 2.2) / I_{select} \text{ in Ohms}$$

The socket is designed for panel mounting through an oval shaped hole, using a threaded nut to secure the socket.

Part number

- Touch Socket TSL 2 Colour
- Touch Socket TSM 3 Colour

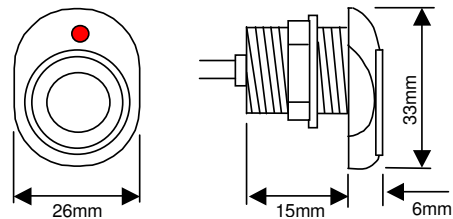
Connection Diagram



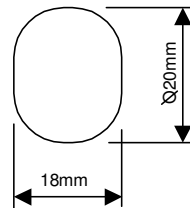
The manufacturer reserves the right to change specifications without prior notice



Dimensions



Panel Cut-out



Specifications

- Cable Length 200mm +/- 20mm
- Socket Colour – Black
- Nickel plated contacts
- High-bright Led's

Features

- Reliable Cable Connection
- Water Proof
- Stainless Steel contacts on request



29 Galaxy ave., Linbro Business Park, Sandton, South Africa
P.O. Box 774, Wendywood, 2144
Tel: +27 11 608-1121 Fax: +27 11 608-1127
e-mail: sam@telbit.co.za

