

TOUCH & HOLD SWITCH

PROGRAMMABLE SWITCH WITH INTERLOCK

The Touch & Hold Switch uses an electronic key to activate its outputs. The electronics in the switch is water proof. The Key consists of a DALLAS iButton fitted in a plastic key ring, factory programmed with an electronic combination code. Combination codes are available in T1, T2, T3, up to T255. A T1 key activates any factory programmed T1 Switch. A green LED is visible on the Switch when the key is accepted, or red LED when key is rejected.

Mounting holes on the Touch & Hold Switch are designed to fit on any standard Onsetter or Banksman unit. The Key is inserted in to the Switch and mechanically latched in position until removed.

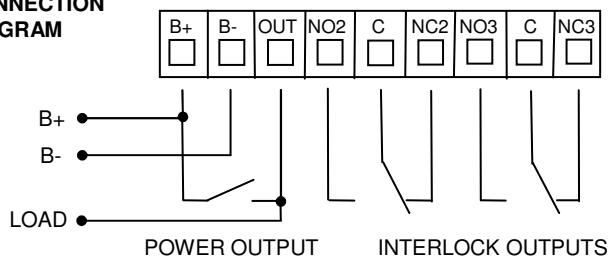
When the Switch is activated, the power output gives an internal electrical connection between the supply voltage (B+) and output terminal (OUT).

An optional Interlock feature provides 2 additional sets of normally open and closed dry contacts that can be switched simultaneously with the power output. The Key can be programmed to switch the power output, the interlock output, or both.

A Momentary or Latch option enables the Key to activate the Switch, remove the key, and the Switch stays activated until the Key is pressed again to switch if off. All options are pre-programmed in the Key.

The Touch & Hold Switch is also ideal for any other application requiring controlled activation, such as operator machines, lathe's, door locks, electronic gates, etc.

CONNECTION DIAGRAM

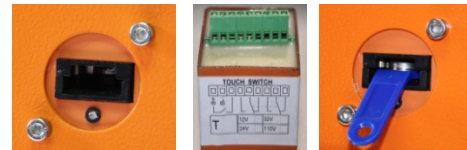


Features

- Supply voltage: 12VDC, 24VDC, 32VAC/DC or 110VAC
- Maximum load current: 8 Amp.
- Waterproof and dustproof stainless steel enclosure
- Red LED indicates rejected Key
- Green LED indicates accepted key
- Switches and Keys are reprogrammable
- Unlimited Keys per switch
- Key is latched to switch until removed

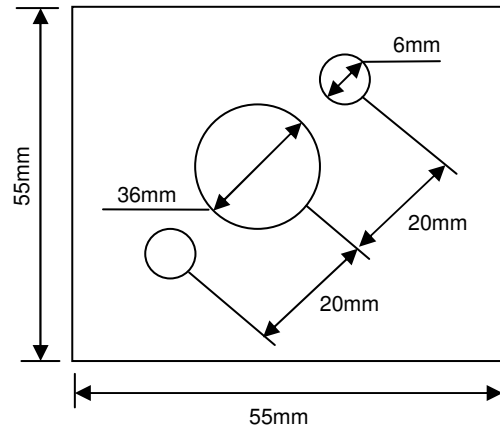


Telbit reserves the right to change specifications without prior notice.



Fitted Touch Switch Rear View Touch Key

MOUNTING HOLES



Telbit

29 Galaxy ave. Linbro Business Park
Sandton, South Africa
Tel: +27 11 608-1121
Fax: +27 11 608-1127
e-mail: sam@telbit.co.za