

# POWER SURGE

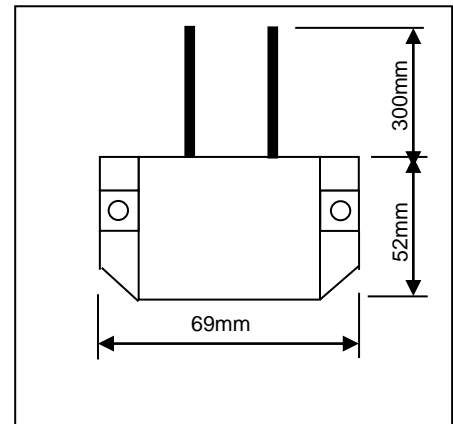
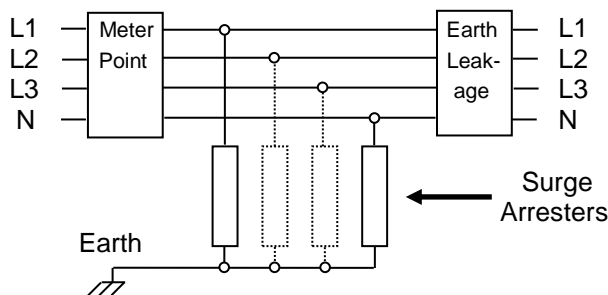
## 40kA HIGH ENERGY METAL OXIDE VARISTOR

### Applications

- Overvoltage transient suppression
- Low-power distribution panels
- Lightning surge protection
- Power electronics
- Inductive load switching
- Industrial and household equipment

### Specifications

- Conforms to IEC 61643-1:2005
- Operating voltage 275 VRMS (350 VDC)
- High energy capability 550 J (2 mSec)
- Maximum surge current 40 kA (8/20)
- Maximum clamp voltage 710 V (300 A)
- Typical capacitance 2700 pF (1 kHz)
- Response time < 25 nSec
- Operating temperature -40°C to +85 °C
- Wall / panel mount
- Flame resistant, self extinguishing housing – VR0



### Single Phase:

Use 2 units for L1 & N, connected to earth

### Three Phase:

Use 4 units for L1, L2, L3, N connected to earth

The internal Metal Oxide Varistor have received the following certifications:

Underwriters Laboratories	UL
Canadian Laboratories Inc.	CSA
Swiss Electrotechnical Association	SEV
Verband Der Elektrotechnik	VDE

29 Galaxy ave., Linbro Business Park  
Cnr. Marlboro Drive & N3 Highway  
Sandton, South Africa  
P.O. Box 774, Wendywood, 2144

Tel: +27 (11) 608 1121/9  
Mail: [martin@telbit.co.za](mailto:martin@telbit.co.za)  
Web: [www.telbit.co.za](http://www.telbit.co.za)

