

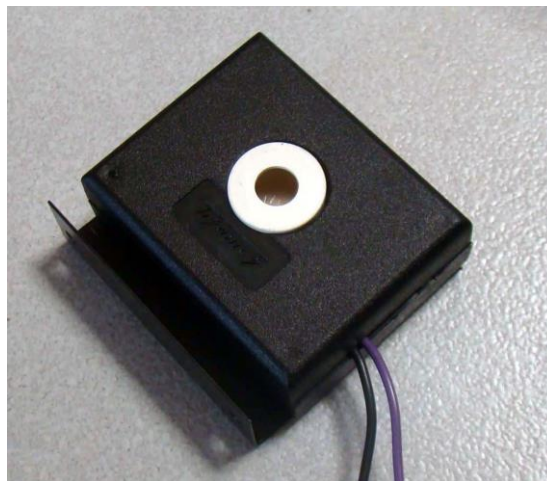
TELBIT SOUNDER

The Telbit Sounder is a reliable low-cost sounder fitted as standard equipment to Onsetter and Banksman Locked Bell boxes.

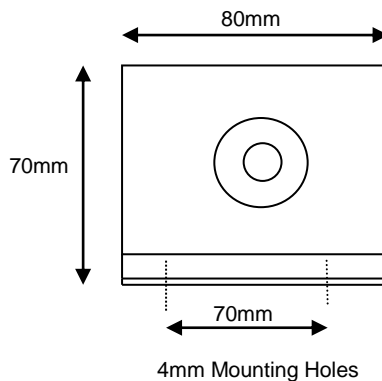
With its wide operating voltage makes it suitable for a wide range of applications.

Uses

- Winder Signalling
- Process Alarms
- Alert and Alarm Functions



Dimensions



Specifications

Voltage	24VDC, 32VAC/DC, 110V _{AC}
Sound Output	105dB
Tones	Single Tone
Temperature	-10°C to +65 °C
Dimensions	80mm(L) x 70mm(W) x 30mm(H)
Mounting	Base Mount with mounting holes
Colour	Black

REV1